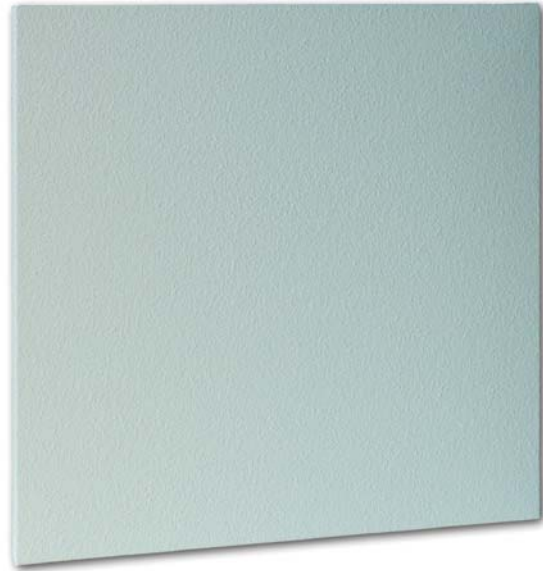


Low Temperature Radiant Ceiling Panel Heaters

atc Low Temperature Radiant Ceiling Heaters provide an economical and draught free means of heating in commercial premises.

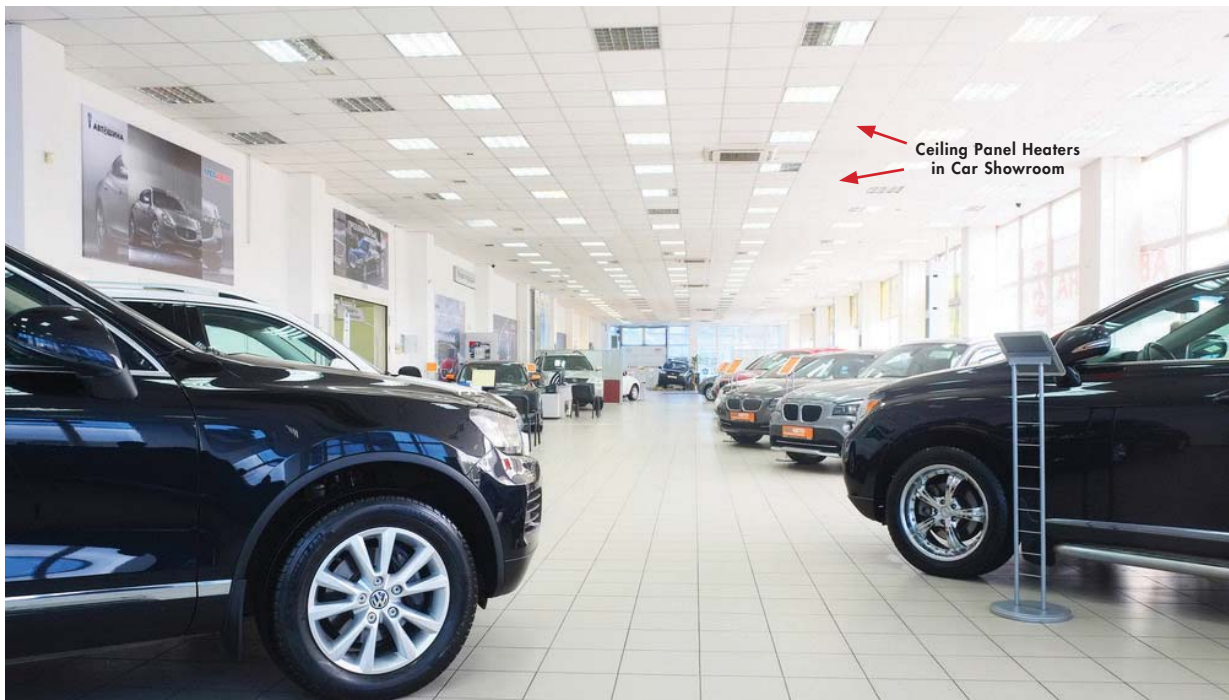
TECHNICAL SPECIFICATIONS

- Two panel sizes 600mm x 600mm and 1200mm x 600mm
- Energy efficient low energy costs
- Draught and Noise free
- Ceiling mounting allows flexible use of floor and wall space
- Designed for quick and easy installation to suspended ceilings
- Bracket supplied for easy mounting onto conventional ceiling
- Extra safety as personnel have no access to heaters
- Integral insulation layer ensures that radiant energy is transferred into room
- Attractive white finish
- Fully enclosed IP44
- Recommended mounting height 2.5 to 3m



ECOSUN LOW TEMPERATURE RADIANT CEILING HEATERS IP44

CODE	HEAT Output(W)	VOLTAGE (V)	HZ	AMPS (A)	LXHXW (mm)	WEIGHT (kg)	IP Rating
E300U	300	230	50	1.3	592 x 592 x30	5.0	IP44
E600U	600	230	50	2.6	1192 x 592 x 30	10	IP44

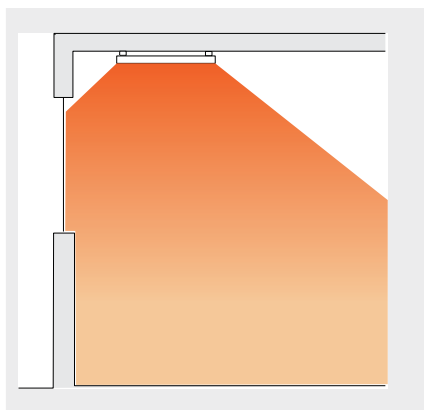


Optional Control Radiant Ceiling Panels

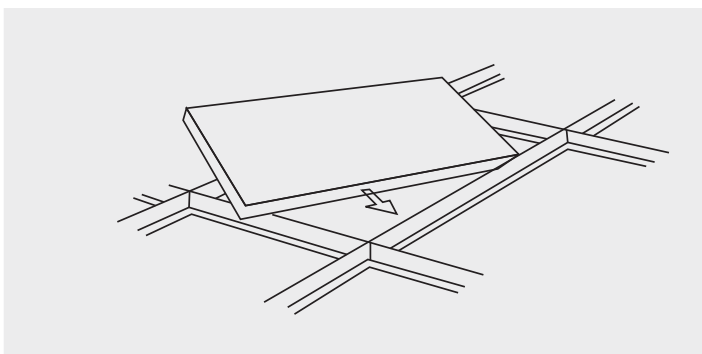
CODE	DESCRIPTION	BOX QTY
CIRT	Variable Output Regulator / Controller c/w Timer. Max 3600W S/ph	1
ERP	Thermostatically Controlled Variable output Regulator / Controller. Max 3600W S/ph	1
ERPS	Slave Unit for ERP. Max 3600W S/ph	1
12998	PIR Movement Detector 3A IP20, Timer 3 - 20mins	1
TKS16	Electronic Thermostat. Max 16A S/ph	1
KUR	7 Day Digital time Clock	1



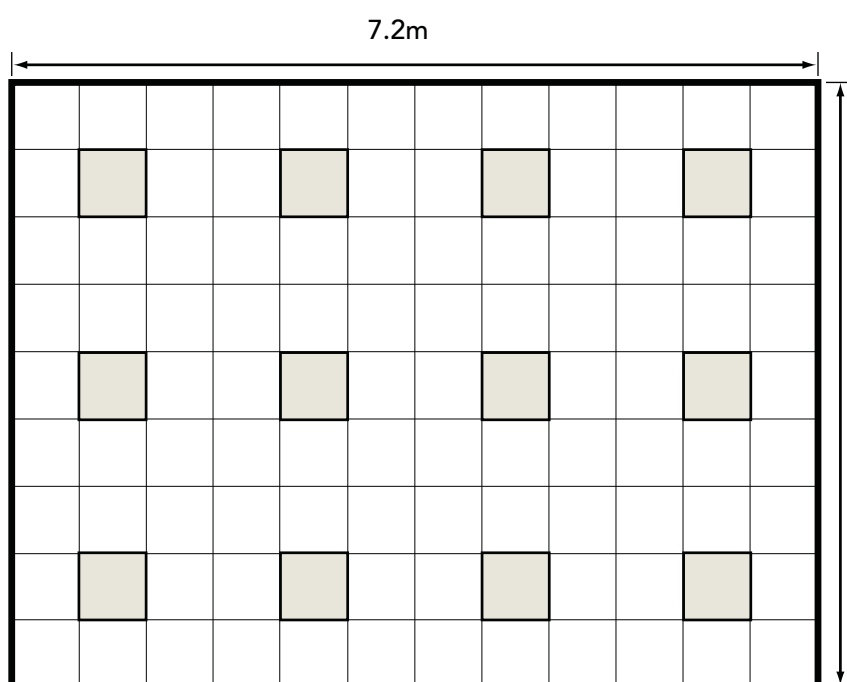
Technical details on these control options on Page 60 - 61



Ecosun can be used to compensate heat losses that occur near windows



Mounting in false ceilings



Typical arrangement of Ecosun ceiling panels in a 600 x 600 ceiling grid

APPLICATIONS

- Offices
- Schools
- Day-care Centres
- Trade Counters
- Meeting Rooms

