



Axial K In-Line Fan

The Axial K in-line fan is suitable for ducted installations through the ceiling via ceiling valves. Ideal for bathrooms, toilets or utility rooms in apartments, houses or commercial premises. Ideal for long duct applications up to 10m.

TECHNICAL SPECIFICATIONS

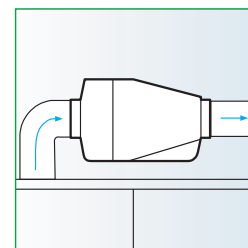
- 100mm diameter spigot standard
- 1 model available
- External timer can be used
- Suitable for ventilation of up to two bathrooms or a single utility room
- High airflow rate, 135m³/h extract capacity
- Induction motor with thermal protection
- Anti-vibration gasket for silent operation fitted
- Can be ducted up to 10m
- IMQ data label ensures data and performance is third party certified.
- Conforms to international standards: CEI EN 60335-2-80, CEI EN 60529 (code IP) and CEI 107-53/1986.



Axial K In-line Fan

For ventilation of up to two bathrooms or a single utility room.

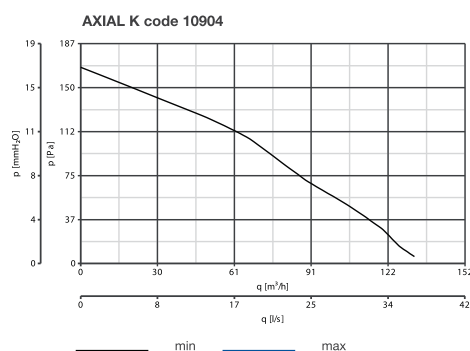
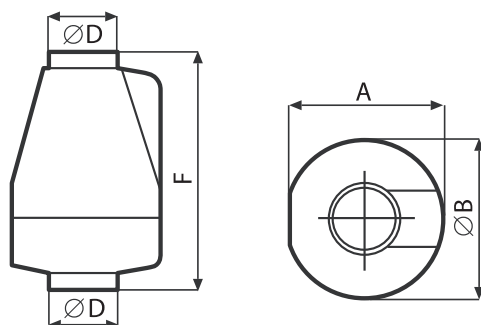
CODE	INLINE & LOFT DUCT FAN	BOX QTY
10904	AXIAL K IN LINE DUCT FAN (135 m ³ /h) (37.5 l/s)	6



Installation of the Axial K 10904.

Pressure/Performance Curves

Dimensions (mm)



10904

	A	B	C	Ø D	E	F	KG
AXIAL K	168	176	-	97	-	270	1.2