

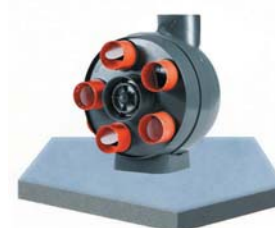


# Vort Penta Range

## CENTRAL EXTRACTOR SYSTEM FOR VENTILATING UP TO 6 ROOMS



Ceiling mounted installation



Floor mounted installation

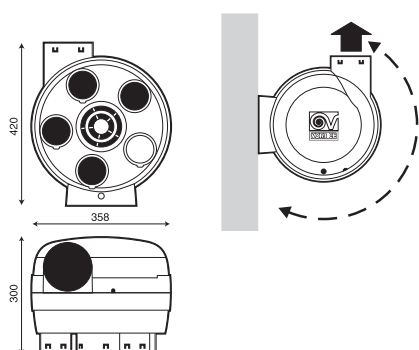


Wall mounted installation



Suspended on a the cord supplied

### Dimensions (mm)



- ① Air intake
- ② Kitchen Port
- ③ Bathroom/shower port
- ④ Toilet port
- ⑤ Air outlet

## TECHNICAL SPECIFICATIONS

| Product    | Code  | V~50Hz | Air flow (m <sup>3</sup> /h) |           | Pressure (Pa) |           | Power (W)  |           | Noise Level dB (A) |           | IP | °C | kg | Approvals | Insul. |
|------------|-------|--------|------------------------------|-----------|---------------|-----------|------------|-----------|--------------------|-----------|----|----|----|-----------|--------|
|            |       |        | min. speed                   | max speed | min. speed    | max speed | min. speed | max speed | min. speed         | max speed |    |    |    |           |        |
| Vort Penta | 11509 | 230    | 200                          | 400       | 206           | 442       | 21         | 73        | 32*                | -         | X4 | 50 | 4  |           | cl. II |

\*Lp dB(A) 3m measured in configuration 5+1

*The Penta MEV has IMQ (Italian Mark of Quality) Third Party Certification for EN 13141-6 compliance. The 2006 Edition of the UK Building Regulations Approved Document F1: Means of Ventilation states that the performance requirements of fans must be assessed and verified to meet EN 13141 standards*

# Vort Penta Range

Central Extractor Fan System for Continuous ventilation of Apartments or Houses with a Kitchen and up to 5 Wet Rooms such as bathrooms, toilets and utility rooms. Splash proof IPX4.

## Vort Penta

The Vort Penta is a multi-room continuous extraction system providing highly efficient and low cost ventilation. The unit is typically located in lofts, ceiling Voids or cupboards. Energy efficient, 21watts on low speed and 73watts on boost this system is exceptionally quiet. Ideal for apartments and houses.

This unit is unique in that it extracts from the kitchen and up to 5 wet rooms such as bathrooms, toilets and utility rooms. The unit is supplied with two air regulators as standard so when the ducts are fitted the airflow distribution is balanced automatically.



## Vort Penta Central Extract Fan

| CODE  | VORT PENTA CENTRAL EXTRACTOR FAN SYSTEM<br>CONTINUOUS VENTILATION OF APARTMENTS AND HOUSES. IPX4 | BOX<br>QTY |
|-------|--|------------|
| 11509 | Vort Penta Central Extractor Fan   | 1          |



## Vort Penta Range Accessories

| CODE         | ACCESSORIES FOR VORT PENTA RANGE OF<br>CENTRAL EXTRACT FAN SYSTEM | BOX<br>QTY |
|--------------|---|------------|
| 22325        | Air Valve for Vort Penta 30m <sup>3</sup> /HR                     | 1          |
| 91008        | 80mm Fixed Ceiling Grille   | 1          |
| 91009        | 125mm Fixed Ceiling Grille  | 1          |
| P0596/082/26 | 82mm PVC Flexible Ducting 15m                                     | 1          |
| P0440/133/35 | 127mm PVC Flexible Ducting 15m                                    | 1          |
| VKC 603      | 125mm - 100mm Reducer   | 1          |
| VKC 51       | 100mm - 80mm Reducer  | 1          |

