

Zip HydroTap[®] G4

Boiling | Chilled | Filtered | Instantly

Commercial models BC160/125G4, BC160/175G4 and BC240/175G4

With new Zip G4 power-saving technology and Zip 0.2 micron filtration.



Simple to install at any kitchen sink.



New under-sink Zip Command Centre™ leads the world in time-saving and energy-saving technology, reducing standby energy consumption by up to 55% over earlier models of similar capacity.

Typical Specification

“Under-sink boiling and chilled filtered water appliance equipped with integral 5 bar pressure limiting and dual check valve, 0.2 micron water filter, air cooled refrigeration system with cleanable lint filter, an interactive touch screen display with password protection and two boiling-water safety modes.”



Can be installed away from any sink with the optional ZT008 ‘font’ accessory.

Zip brings you the world’s most advanced boiling and chilled drinking water appliance.

Adjustable water temperature: boiling water 100°C to 68°C, chilled water 5°C to 14°C. **Power-Pulse™ electronic technology** controls the set boiling water temperature within 0.2°C.

Choice of fingertip control for fast cup filling (lever down) or **hands-free** pot filling (lever up).

Two safety modes. Can be set to require finger-thumb operation for boiling water access, eliminating the risk of accidental use. Can also be set to **“hot isolation mode”** for added safety.

Low-energy lights signal when boiling water is ready, chilled water is ready, or filter change is due. **Hidden light sensor** sends appliance to sleep to conserve energy whenever the room goes dark.

Sleeps at 64°C or powers OFF after 2 hours of non-use.

Plus inbuilt 24/7 on/off timing allowing power to be turned off for weekday or weekend periods.

Zip 0.2 micron filter puts crystal-clear, better-tasting water on tap, filtering out chlorine taste and odour, lead, and impurities as tiny as one five-thousandth of a millimetre, including protozoan cysts such as Cryptosporidium, but does not remove beneficial fluoride.

Zip HydroTap Commercial models with new Zip G4 power-saving technology.

Model	Boiling Cups/hr	Chilled glasses/hr	Rating (kW) @ 230V	Dimensions W x D x H (mm)
BC160/125G4	160	125	2.05	450 x 470 x 335
BC160/175G4	160	175	2.1	450 x 470 x 335
BC240/175G4	240	175	2.1 + 2.2 (b)	450 x 470 x 335

Standard Cup = 167 ml. Standard Glass = 200 ml.

(a) Order codes shown here are for the models installed on a sink. To install on a 'font' also specify a font kit: order code ZT008.

(b) Model BC240/175G4 is installed with an externally mounted 2.2 kW booster unit and must be connected to two separate 13 amp fused spurs.

Boiling System

Open outlet, vented system, factory set to operate at 98°C.
Flow rate 4.0 l/min.

Chilling System

Fan-cooled condenser type, factory set to operate at 5-9°C.
Flow rate 4.0 l/min.
Refrigerant R134a.

Location

Tap must be positioned so that it drains into a suitable sink, or be installed on the optional "tap font kit" which is plumbed to waste.

Tap should be situated as closely as possible to directly above the under-sink Command Centre. Maximum distance from the base of the tap to the Command Centre is one metre. Command Centre must have clearances as shown on the drawings.

Ventilation accessories (supplied) must be installed as per instructions.

Approvals

CE endorsed.

Plumbing

Must be installed in accordance with UK Water Supply Regulations.
Designed for direct connection to a potable (drinkable) cold water supply with a minimum pressure of 0.7 bar (1.7 bar if fitted with booster unit or scale filtration). A 5 bar pressure limiting valve is fitted internally. An isolating valve should be installed between the water supply and the Command Centre.

Electrical

Installation must comply with current IEE regulations.
Models 160/125 and 160/175 to be wired to a double pole 13 amp fused spur.
Model 240/175 is installed with an externally mounted 2.2kW booster unit and must be connected to two separate double pole 13 amp fused spurs.

Caution

In hard water areas where mineral scale accumulation may be an issue, consideration should be given to the maintenance required. We recommend use of the Zip Professional high performance limescale filtration system.

Accessories

ZT008 – Zip G4 font installation kit.
ZT402 – Zip 0.2 micron replacement filter.
To order any model to be supplied with extension levers and Braille pads, add D to the end of the Order Code.

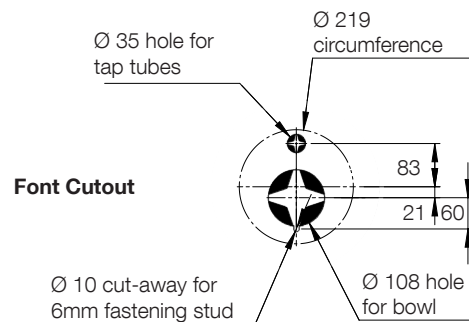
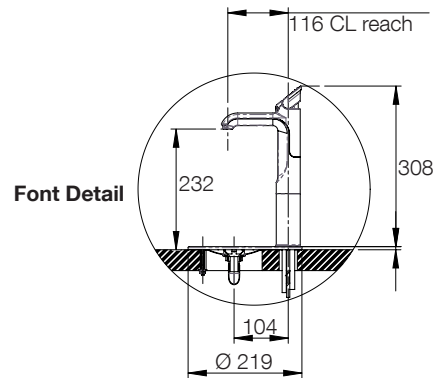
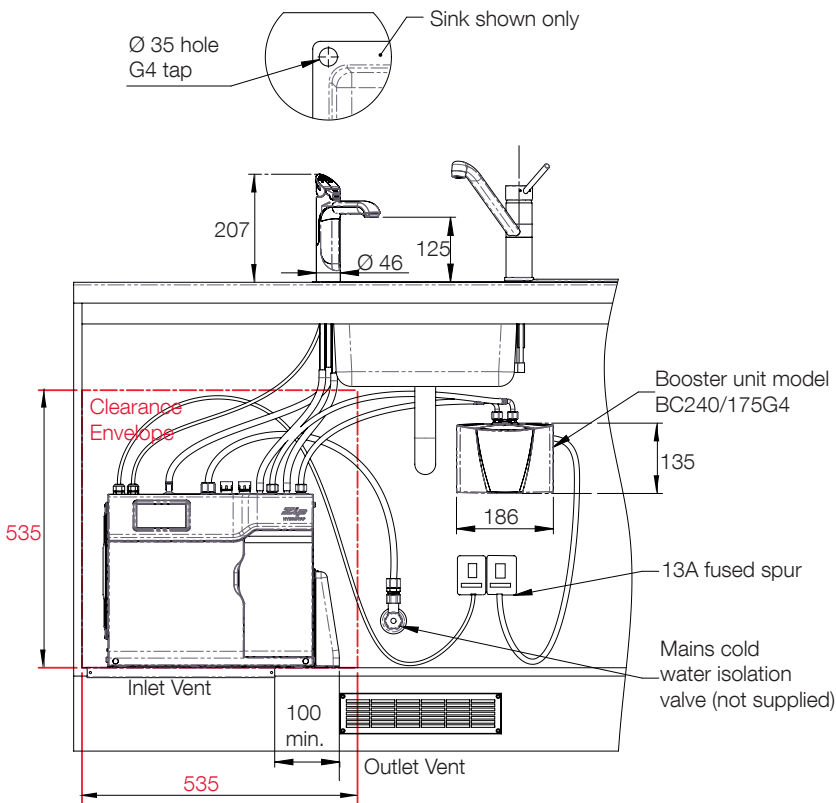


Technical Support

Contact Zip on:
Tel: 0845 6 005 005
e-mail: service@zipheaters.co.uk

Five Year Warranty

Appliance warranty
24 months, plus additional
36 months tank warranty.
See website for details.



Dimensions in mm