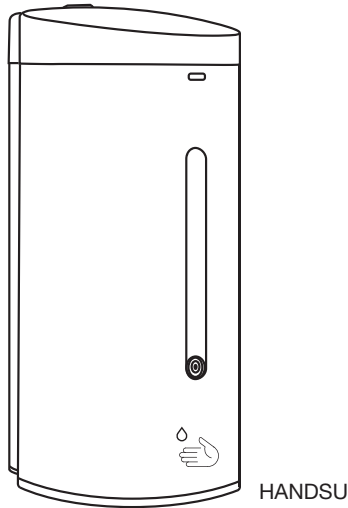


ATC Dahlia Hand Sanitiser Unit Installation and Operation Manual



IMPORTANT SAFETY INFORMATION

Please read this installation and operation manual carefully before installing the unit.

Always use the same brand of AA battery and replace all batteries at the same time. Old and new batteries must not be mixed, doing so will damage the operation of the dispenser.

Prior to installation please ensure that the mounting surface of the wall is flat and clean.

The minimum distance from the outlet of the unit to surfaces below the dispenser must be greater than 250mm.

Should the surface be highly reflective - such as polished stone or stainless steel- then the distance between the outlet and the surface must be increased to be greater than 350mm.

If these minimum distances are not observed the automatic dispenser may operate whilst it is unattended. Highly reflective objects such as mirrors should not be put in the sensing range under the unit, nor should they be left on the counter underneath the dispenser.

This automatic dispensing unit must only be used indoors.

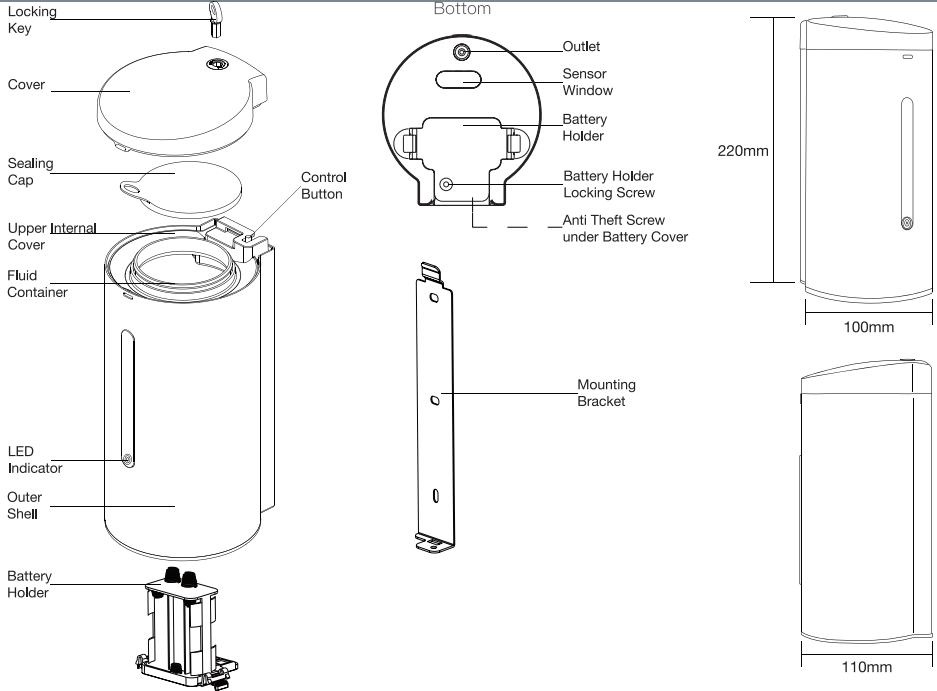
These installation instructions should be given to the user and kept in an accessible location after installation.

Children should only use the dispenser under adult supervision to prevent accidents.

Do not throw away wasted batteries. Batteries must be recycled, please contact your local recycling center for further information.

The unit contains microcomputers, electronic circuitry, motors and valves. Do not splash or immerse in water. Clean with a soft cloth and neutral detergent. Do not use aggressive cleaning agents, detergents with micro particles, highly acidic or alkaline cleaning agents as they will damage the surface. Any such damage is not covered under the warranty. **Be especially careful not to damage the sensor window.**

COMPONENT DIAGRAM AND DIMENSIONS

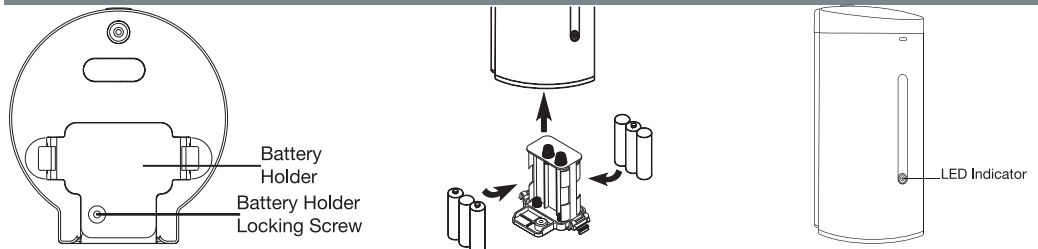


PACKING LIST

- | | | |
|-----------------------------------|------------------------------|---------------------------------|
| 1x ATC Dahlia Automatic Dispenser | 1x Mounting Bracket | 3x Fixing screws + anchors |
| 1x Locking Key | 1x Installation instructions | 1x Battery Holder Locking Screw |
| 1x Anti Theft Locking screw | | |

Note: 6x AA 1.5v DC Batteries are required to operate this unit and are not included with the dispenser. The Mounting bracket is attached to dispenser on arrival, please remove prior to installation. Should any of the above items be missing from your dispenser, please contact your supplier.

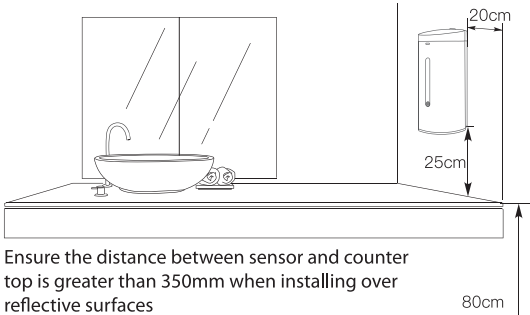
BATTERY INSTALLATION



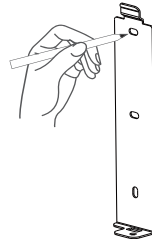
Prior to installing the ATC Dahlia Auto Dispenser on the wall, remove the battery holder from the base of the dispenser and install 6 good quality AA batteries; ensure the correct polarity in the battery holder. Once the dispenser is mounted and the batteries are installed correctly replace the battery holder into the dispenser and insert the battery holder locking screw and tighten.

When the batteries require replacement the LED indicator will Flash. Ensure the dispenser is kept upright when replacing spent batteries.

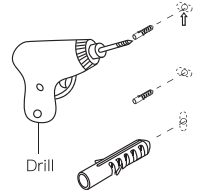
INSTALLATION



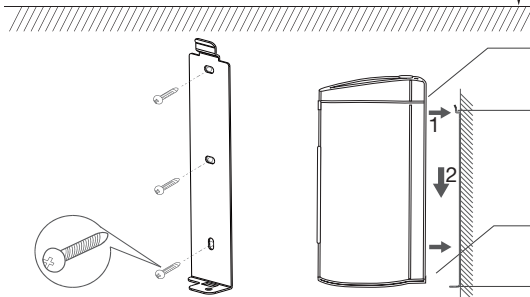
Ensure the distance between sensor and counter top is greater than 350mm when installing over reflective surfaces



1. Mark the wall using the mounting bracket as a template and ensure the mounting distances (left) are observed.

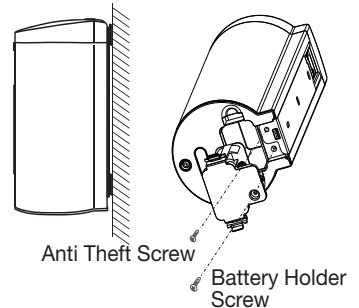


2. Drill the wall and install the plastic anchors.



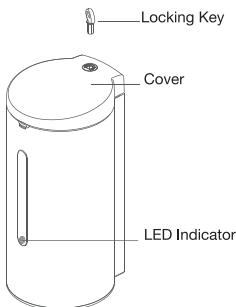
3. Attach the mounting bracket with the screws provided.

4. Mount the dispenser onto the bracket by aligning the 2 clips and lower onto the bracket.

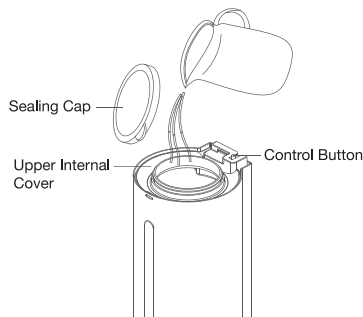


5. Install the anti-theft screw, then the battery holder and finally the battery holder screw.

FILLING AND OPERATION

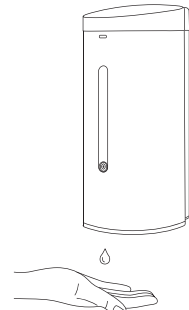


1. Once the unit is installed on the wall, insert the locking key and twist to unlock the cover. Remove the cover to expose the sealing cap.



2. Remove the sealing cap and fill with liquid soap, alcohol sanitiser or gel and replace the sealing cap. Press and Hold the Control button for approximately 3 seconds until the LED flashes 3 times.

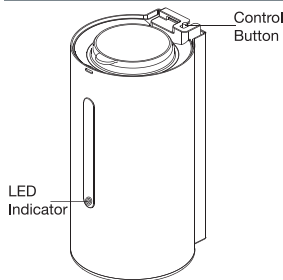
Each long press of the button turns the unit on or off.



3. To activate the dispenser the user should put their hand under the unit until the sensor activates the dispenser. Each time the dispenser operates the LED will flash once.

Note: The initial operation may take three or four operations until product is dispensed.

SETTING THE DISPENSE AMOUNT



When the unit is turned on (see above), the amount of product dispensed can be adjusted - default amount is 1.0ml.

To change the amount dispensed press and release the control button; each time the button is pressed the LED will flash to inform the user what setting it is on. 1 flash = 0.5ml, 2 flashes = 1.0ml etc.

There are 5 settings corresponding to 0.5, 1.0, 1.5, 2.0, and 2.5ml. After reaching 2.5ml the next press returns to 0.5ml.

Note:

- Different liquid densities will have slight deviation from the above dispense amounts.
- Each Time the dispenser is powered off, the dispense amount resets to factory default (1.0ml).

TROUBLESHOOTING

Problem	Reason	Potential Solution
No LED Indicator	Control PCB Issue	Replace the control PCB
	Batteries out of power	Change for new batteries
	Poor contact in battery holder	Remove the batteries, clean the contacts and replace the batteries in the holder
	Indicator window dirty	Clean indicator window
LED Continuously flashing	Low battery voltage	Change for new batteries
LED On without product supply	Sensor is active	Check for reflective objects below unit and remove them if present, Check to ensure sensor window is clean
Insufficient product supply	Short product supply time	Adjust the amount of product supplied (See above)
	Product is too thick to dispense	Change for less Viscous product
	Product dried out internally	Try to operate with water to clear obstruction
To avoid blockages always prevent debris from entering the fluid container		

SPECIFICATION

Power	DC9V (6x AA)	Sensing Distance	50-90mm (non adjustable)
Storage Volume	700ml	Liquid supply	0.5-2.5ml in 5 steps (adjustable)
Dimensions (HxWxD)	220x100x110mm	Ambient Temperature	0-45°C
Net Weight	1.1kg	Liquid type	Liquid, Alcohol Sanitiser, Gel

WARRANTY

ATC Electrical and Mechanical provides a one year limited parts warranty for the Dahlia automatic dispenser HANDSU as long as the unit has been installed, used and maintained in accordance with the information provided in this manual.

In order to arrange parts for the dispenser the information listed below is required. It is recommended to write this information below and keep this instruction manual in a safe place.

Serial Number: _____

Date of Manufacture: _____

Date of Purchase: _____

Location Purchased: _____