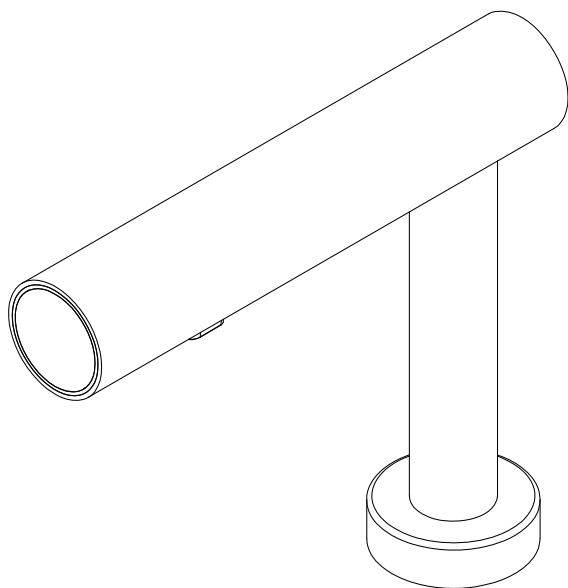


atc.ie
atcelec.co.uk

Soap Dispenser

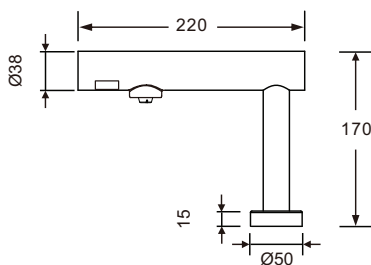
Deck-Mounted



Model : ATC-ECOTAP-D-SOAP

Dimensions

Unit Size: mm



TECHNICAL SPECIFICATIONS

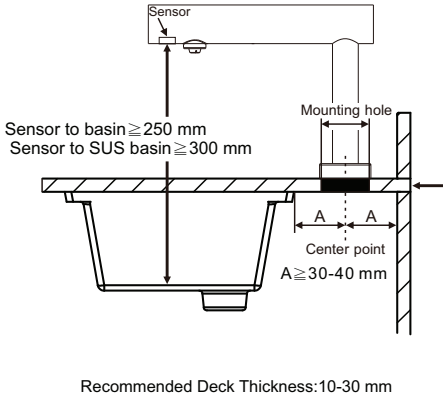
ITEM CATEGORY

PERFORMANCE DATA

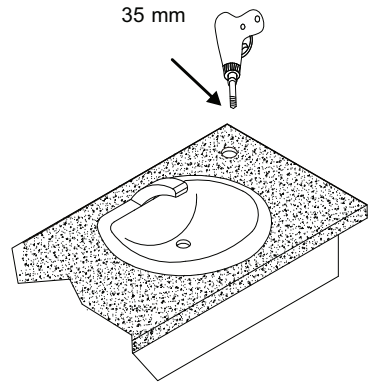
Input Voltage	100-240 Vac, 50/60 Hz
Output Voltage	6 VDC Plug-In Adaptor
Applicable Water Temperature	5-40 °C
Dispensing Volume	Liquid Soap: 1-1.5 ml Foam Soap: 0.6-0.8 ml Sanitizer: 1-1.5 ml
Soap Tank Capacity	1500 ml
Sensing Range	Standard 120 mm ± 20 mm, Infrared Sensor
Applicable Viscosity Range	1-3000 cP (1-3000 mPas)
Net Weight	1.2 kg
Shipping Weight	2.1 kg
Spout Type	Stainless steel (#304), Satin finished (t:3.0 mm & 1.5 mm)
Spout Size	50 mm (W) x 170 mm (H) x 220 mm (D)
IP Rating	IP35

Installation

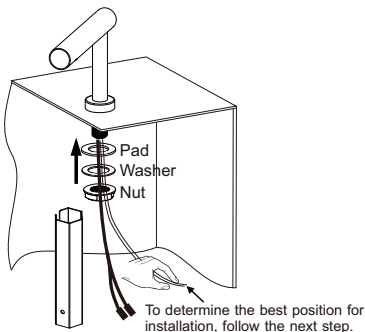
1. The center of the mounting hole to the edge of the basin and to the edge of the wall should be at least 30-40 mm. Otherwise the mounting nut will not fit. Ensure a proper sensing distance.



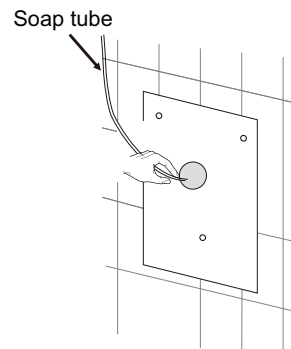
2. Drill a hole (size: 35 mm) on the basin. Installation location to be decided by the site owner.



3. Mounting steps of the spout:
 - A. Insert the shaft of the spout through the hole on the basin.
 - B. Thread in the rubber pad, the stainless steel washer, and the plastic mounting nut.
 - C. Fasten with the hex tool.

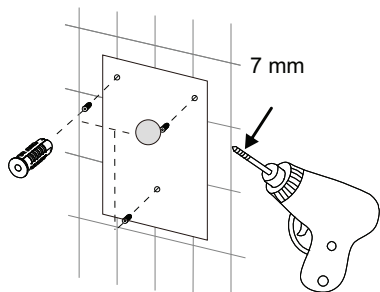


4. Position the mounting template such that the soap tube can reach and touch the gray circle on the mounting template.

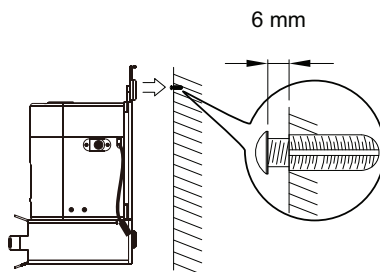


Installation

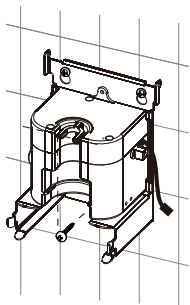
5. Drill three holes according to the locations on the mounting template. Insert the expansion bolt into the holes.



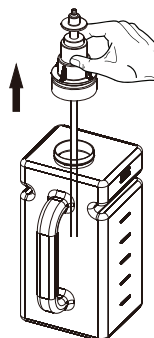
6. Put two fixing screws into the top wall plugs, but leave a 6 mm space between the head of the screw and the wall so the control box assembly can hang properly.



7. After the control box assembly has been hung on the wall, fasten the third screw into the bottom wall plug.



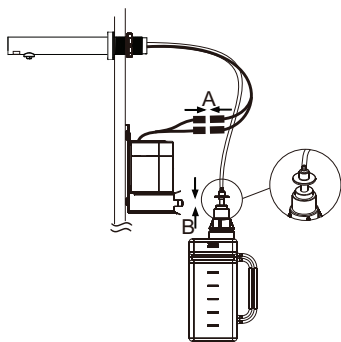
8. Pull up the soap pump, fill with soap and then push down the soap pump until you hear it snap into place.



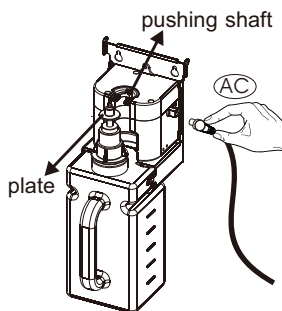
Installation

9. Connecting steps :

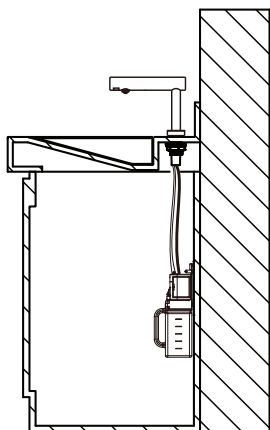
- A. Connect the wires of the soap dispenser to the wires of the control box assembly.
- B. Connect the soap tube to the connector on the soap pump.



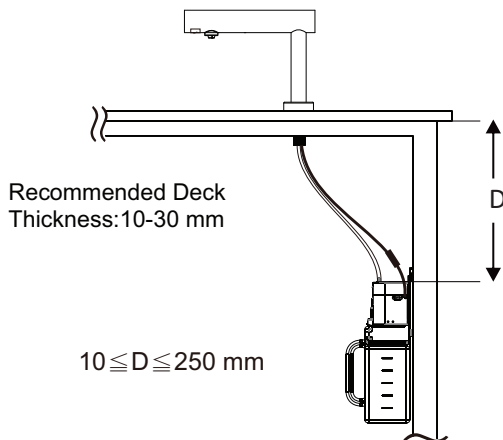
10. Push the soap tank into the mounting brackets. Make sure the soap pump plate is under the pushing shaft before you put back the soap tank so the soap dispenser can work properly. Plug in the AC adapter to complete the installation.



11. Install the control box assembly under the counter.



Installation Height



Operation

- No-touch operation.
- Place hands under the spout to activate the sensor.
- Soap will be dispensed when the sensor is triggered.

Cleaning and Maintenance

Periodic cleaning of the unit is recommended to ensure optimal performance.

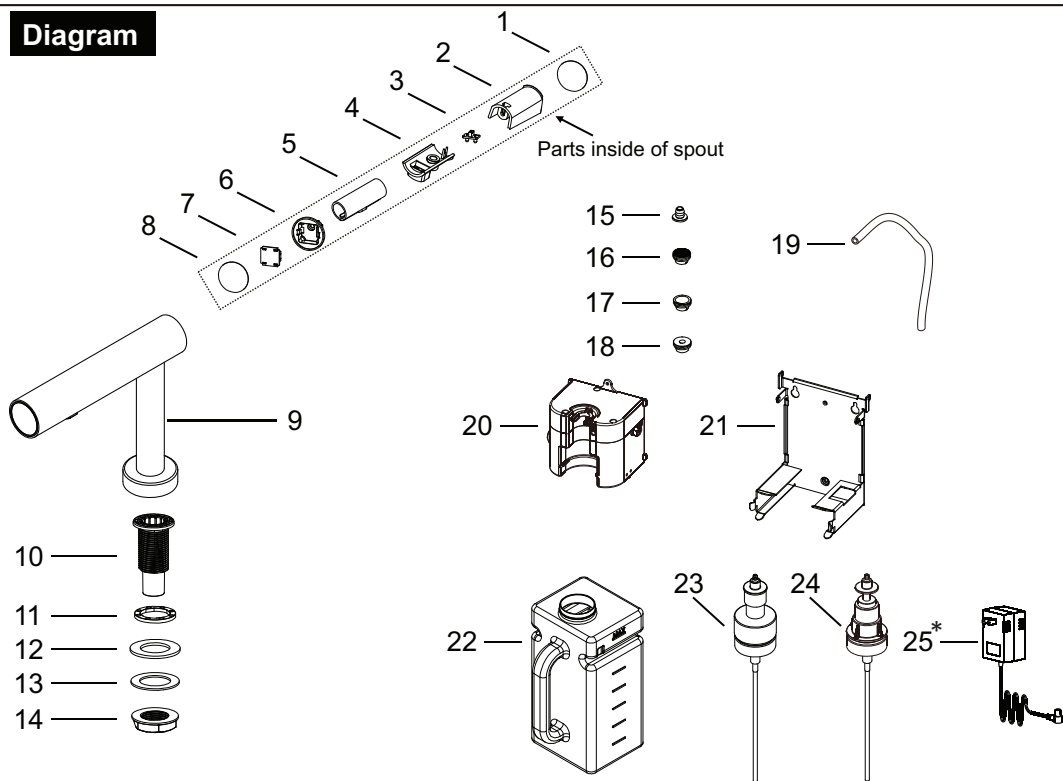
- Disconnect the electrical supply.
- Clean all dust and lint from the interior of the soap dispenser.
- **Do not** flush with water.
- Wipe the cover with a damp cloth and mild cleaning solution. Do not soak. **Never use abrasives to clean the cover.**



Diagnostics and Remedies

Malfunction Situation	Potential Reasons of Malfunction	Troubleshooting
No Soap comes out (Green LED flashing)	Soap is low.	Fill tank with liquid soap.
No Soap comes out (Green LED solid on)	Pump may be clogged.	Please contact the distributor for assistance.
	Soap viscosity is high.	Change to a liquid soap with a lower cps.
No Soap comes out	Sensor window is dirty.	Clean sensor window.
	Sensor cable is disconnected.	Connect cable.
	There is obstruction in front of sensor window.	Remove the obstruction.
	Power supply AC adapter is disconnected.	Connect cable.
	Soap tube is disconnected.	Connect soap tube.
	AC adapter is not plugged in.	Plug in the AC adapter.
Soap won't stop running	Sensor window is dirty.	Clean sensor window.
	There is obstruction in front of sensor window.	Remove the obstruction.
Soap comes out unexpectedly	Sensor window is dirty.	Clean sensor window.
	Soap will be automatic dispensed after 48 hours of non-usage to prevent clogging.	
Dispensed volume is low	Pump is not working correctly.	Clean the pump unit.

Diagram



Repair Parts List

Key	Description	Key	Description
01	Name plate (back)	19	Soap rubber tube
02	Soap outlet mounting set (upper)	20	Control box assembly
03	Sensor	21	Base plate
04	Soap outlet	22	Soap tank
05	Soap outlet rubber	23	Foam pump
06	Light leading pad	24	Soap pump
07	LED light panel	25	Adaptor
08	Name plate (Front)		
09	Spout		
10	Soap outlet shaft		
11	Tap pad		
12	Pad		
13	Washer		
14	Soap outlet shaft screw nut		
15	Elbow connector		
16	Net outlet for foam pump		
17	Outlet for soap pump (liquid)		
18	Outlet for soap pump (disinfectant sprayer)		

* Adaptor may differ from image shown

WARRANTY

atc Electrical & Mechanical provides a limited 2 -year parts warranty for the EcoTap Range as long as the following conditions are followed:

1. Installation and use of the EcoTap Hand Dryer is in accordance with the instruction manual that is packaged with each hand dryer.

In order to arrange parts under warranty for the hand dryer the following information is required.

Receipt number: _____

Serial number of the Hand Dryer: _____

Date of Manufacture: _____

Date of Purchase: _____

For Sales and Service enquiries please contact **atc** on the numbers below.



atc House,
Broomhill Drive
Tallaght
Dublin 24
IRELAND

PH IE 003531 467 8302
PH UK 0044 0203 5649164
FX 003531 4520887
Email: sales@atc.ie

atc.ie
atcelec.co.uk



Environmental Protection

Waste electrical products should not be disposed of with household waste, please recycle this product where the facilities exist. Please check with your local authority.