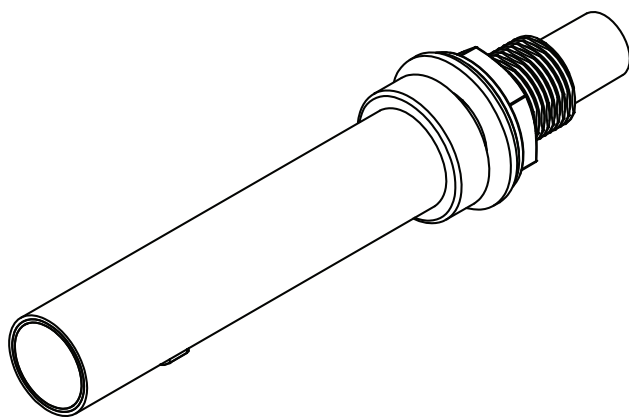


**atc.ie**  
**atcelec.co.uk**

# **Auto Faucet**

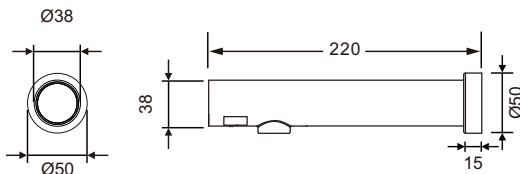
## Wall-Mounted



**Model : ATC-ECOTAP-W-FAUCET**

## Dimensions

Unit Size: mm



## TECHNICAL SPECIFICATIONS

### ITEM CATEGORY

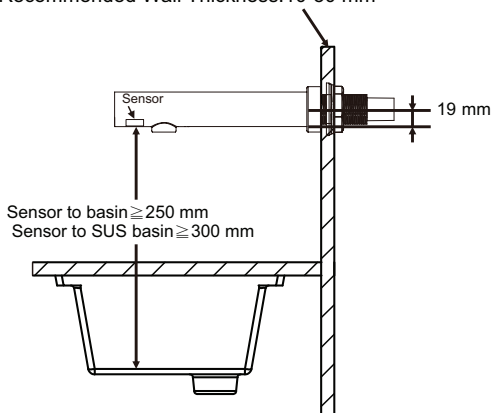
### PERFORMANCE DATA

Input Voltage	100-240 Vac, 50/60 Hz
Output Voltage	6 VDC Plug-In Adaptor
Applicable Water Temperature	4-85 °C
Operating Water Pressure	10-100 PSI
Sensing Range	Standard 120 mm ± 20 mm, Infrared Sensor
Shut-off Delay Time	0.5-1 second
Time Out Setting	60 seconds auto shut off
Flowing Volume	1.9, 3.8 or 8.3 LPM (Optional)
Standby Power	0.1 W
Net Weight	1.2 kg
Shipping Weight	2.1 kg
Spout Type	Stainless steel (#304), Satin finished ( t:3.0 mm & 1.5 mm )
Spout Unit Size	50 mm (W) x 170 mm (H) x 220 mm (D)
IP Rating	IP35

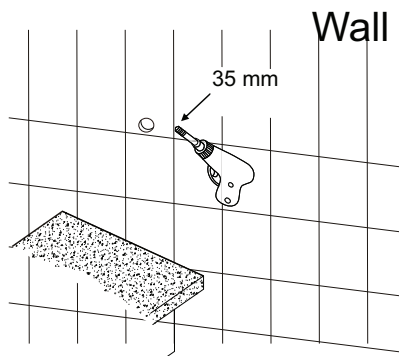
## Installation

1. Ensure a proper sensing distance.

Recommended Wall Thickness: 10-30 mm

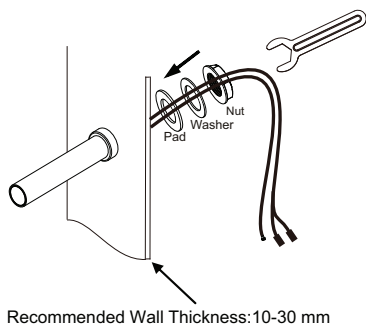


2. Drill a hole (size: 35 mm) in the wall. Installation location to be decided by the site owner.

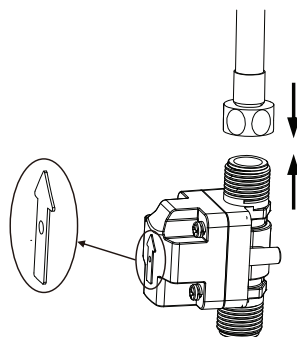


3. Mounting steps of the spout:

- Insert the shaft of the spout through the hole on the installation surface of the wall.
- Thread in the rubber pad, the stainless steel washer, and the plastic mounting nut.
- Fasten with the tool.

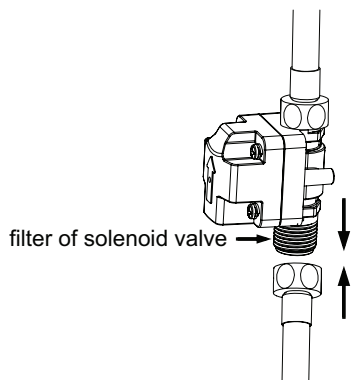


4. With the arrow on the side of the solenoid pointing up, as shown, fasten the water outlet hose with the top connector.

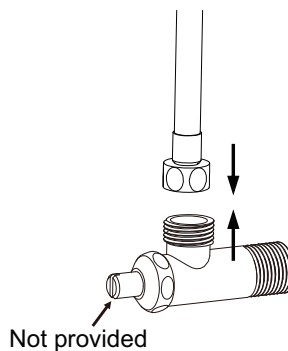


## Installation

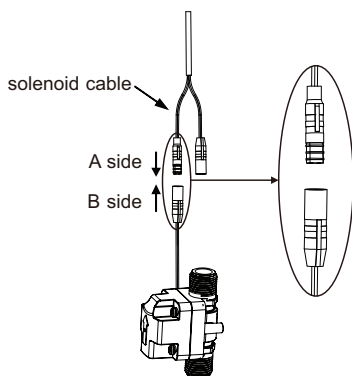
5. Fasten the water inlet tube to the other end of the solenoid valve.



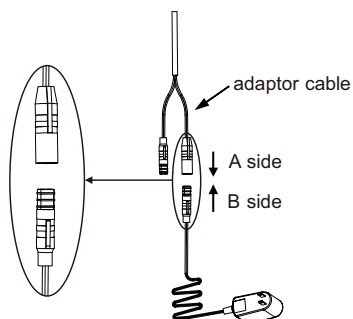
6. Fasten the other end of the water inlet tube to the isolation-valve.



7. Connect the solenoid cable A side with B side.



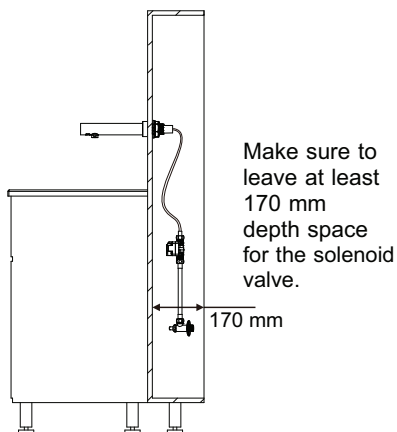
8. Connect the adaptor cable A side with B side.



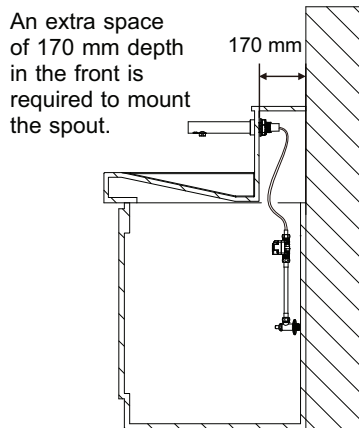
## Installation

Select either one of the below installations.

9. Install the solenoid valve in a maintenance room behind the installation.



9. Install the solenoid valve under the counter.



## Installation Height

Recommended mounting height: 150-200 mm

Recommended wall thickness: 10-30 mm

## Operation

- No-touch operation.
- Place hands under the faucet.
- Once the sensor is activated, water will flow automatically.
- Once hands leave the sensing range, water will stop flowing automatically.

## Cleaning and Maintenance

Periodic cleaning of the unit is recommended to ensure optimal performance.

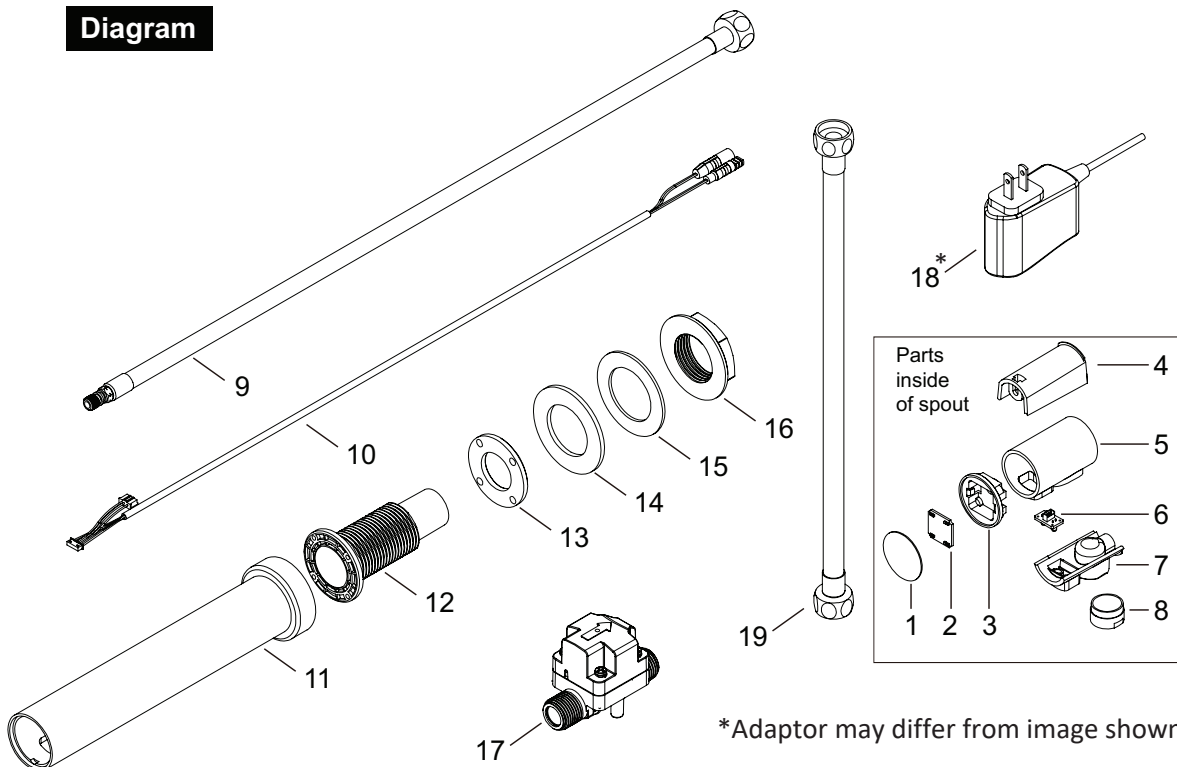
- Disconnect the electrical supply.
- **Do not** flush with water.
- Wipe the cover with a damp cloth and mild cleaning solution. Do not soak. **Never use abrasives to clean the cover.**
- Clean the filter every three months to make sure the outlet is free from obstruction.



## Diagnostics and Remedies

Malfunction Situation	Potential Reasons of Malfunction	Troubleshooting
No Function and there is No LED when hands are in the sensing range	The power is not connected.	Examine the power supply with multimeter to check power connector.
	Electric circuit board is damaged.	Please contact the distributor for assistance.
	Power Adapter has failed.	Replace with a new adapter.
No Function but the LED is steady blue when hands are in the sensing range	Water supply is not turned on.	Turn on the water supply.
	Solenoid valve terminal is loose.	Reconnect solenoid valve terminal.
	Solenoid valve failure.	Replace a new solenoid valve set.
Water runs nonstop after 60 seconds	There is dirt on the sensor window.	Clean the sensor window with neutral cleaning solution.
	Solenoid valve failure.	Replace a new solenoid valve set.
Water runs without use	There is dirt on the sensor window.	Wipe the sensor window with neutral cleaning solution.
Unstable water flow	Electric circuit board is damaged.	Please contact the distributor for assistance.
Reduced water volume	Water supply is low.	Regulate the valve to increase the water supply.
	Filter of solenoid valve is clogged.	Clean the filter of solenoid valve.
	Aerator is clogged.	Clean impurities from the aerator.
LED board is damaged	Electric circuit board is damaged.	Please contact the distributor for assistance.

## Diagram



\*Adaptor may differ from image shown

## Repair Parts List

- |   |                                  |
|---|----------------------------------|
| 1. Name plate - front                       | 10. Cable wire - 800 mm in total |
| 2. LED light panel                          | 11. Spout                        |
| 3. Light leading pad                        | 12. Air outlet shaft             |
| 4. Water outlet mounting set - upper        | 13. Rubber washer                |
| 5. Water outlet rubber                      | 14. Pad                          |
| 6. Sensor                                   | 15. Washer                       |
| 7. Water outlet mounting set - lower        | 16. Air outlet shaft screw nut   |
| 8. Nut                                      | 17. Solenoid valve               |
| 9. Hypertension flex hose - 800 mm in total | 18. Adaptor                      |
|   | 19. Flex hose - 300 mm           |

# WARRANTY

**atc** Electrical & Mechanical provides a limited 2 year parts and Return to Base repair warranty for the EcoTap Range as long as the following conditions are followed:

1. Installation and use of the EcoTap Faucetis in accordance with the instruction manual that is packaged with each hand dryer.

*In order to arrange parts under warranty for the hand dryer the following information is required.*

Receipt number: \_\_\_\_\_

Serial number of the Hand Dryer: \_\_\_\_\_

Date of Manufacture: \_\_\_\_\_

Date of Purchase: \_\_\_\_\_

For Sales and Service enquiries please contact **atc** on the numbers below.



**atc** House,  
Broomhill Drive  
Tallaght  
Dublin 24  
IRELAND

PH IE 003531 467 8302  
PH UK 0044 0203 5649164  
FX 003531 4520887  
Email: sales@atc.ie

**atc.ie**  
**atcelec.co.uk**



### **Environmental Protection**

*Waste electrical products should not be disposed of with household waste, please recycle this product where the facilities exist. Please check with your local authority.*