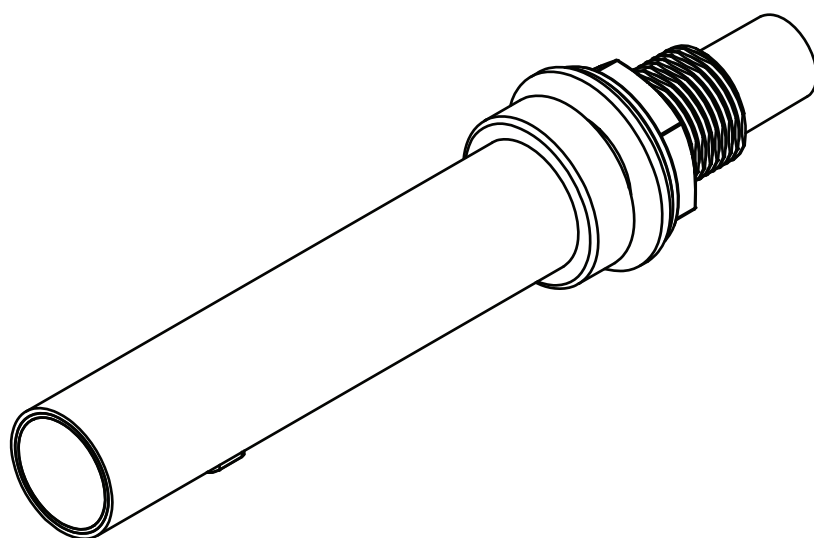


atc.ie
atcelec.co.uk

Hand Dryer

Wall-Mounted

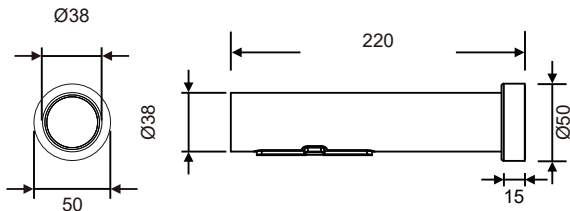


Model : ATC-ECOTAP-W

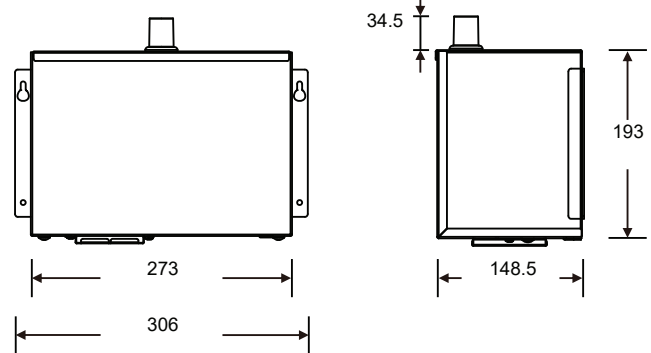
Dimensions

Unit Size: mm

Spout



Cover



TECHNICAL SPECIFICATIONS

ITEM CATEGORY

PERFORMANCE DATA

Operating Voltage	220-240 Vac, 50/60 Hz, 3.8-4.2 A, 0.84-1.0 kW
Warm Air Speed Output	84-101 m/s
Air Output Temperature	57 °C @ an ambient entry Temp. 25 °C
Dryer Shall Deliver	54 m ³ /h, 32 CFM
Motor Type	500 W, 22,000-29,000 R.P.M. , Brush Type, Dual Ball Bearings
Motor Thermal Protection	Auto Resetting Thermostat turns unit off at 95 °C
Heater Element	100-500 W, depending on room temperature
Heater Thermal Protection	Auto Resetting Thermostat turns heater element off at 85 °C Resets at 75 °C, Thermal cut-off at 142 °C
Drying Time	Less than 15 seconds
Stand-by Power	0.3-0.4 W
Circuit Operation	Infrared Automatic, self adjusting
Sensor Range	100 mm to 230 mm, Adjustable; standard 130 mm \pm 20 mm
Timing Protection	60 seconds auto shut off
Drip proof	IP35
Isolation	CLASS 1
Net Weight	5.6 kg
Shipping Weight	8.1 kg
Spout Type	Stainless steel (#304), Satin finished (t:3.0 mm & 1.5 mm)
Dryer Body Cover Type	Stainless steel (#304), Satin finished (t:1.2 mm)
Spout Size	50 mm (W) x 170 mm (H) x 220 mm (D)
Dryer Body Size	306 mm (W) x 193 mm (H) x 148.5 mm (D)

General Safety Information

⚠ WARNING This product is intended for installation by a qualified service person. Use 2mm² solid (AWG NO.14) conductor for wiring.

⚠ WARNING Disconnect power at the service breaker before installing or servicing. **NOT FOR HOUSEHOLD USE - MAY CAUSE BURNS.**

⚠ DANGER Failure to properly ground unit could result in severe electrical shock and/or death.

⚠ WARNING All units must be supplied with a 3-wire service. The ground wire must be connected to the dryer's backplate.

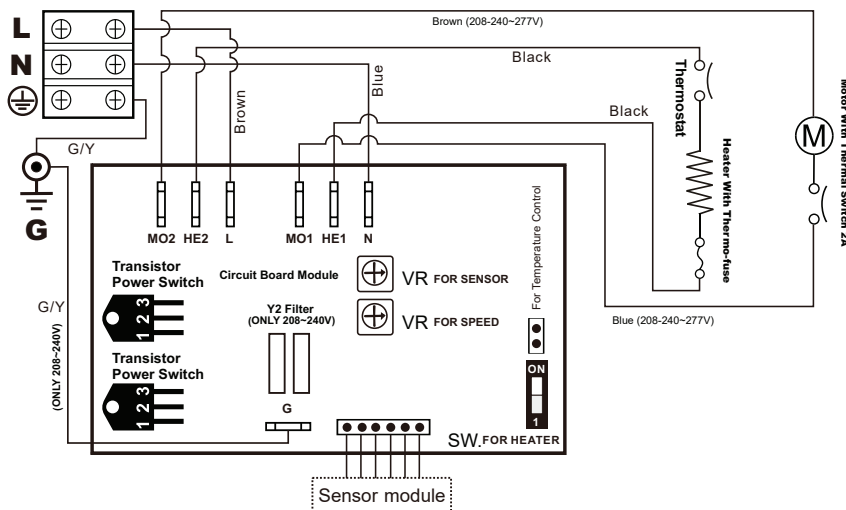
【 Type Y attachment 】

If the power supply cord is damaged, it must be replaced by the manufacturer or its service agent or a qualified person in order to avoid a hazard. Disconnect the fixed wiring only in accordance with the wiring rules.

This appliance is not intended for use by persons (including children) with reduced physical, sensory or mental capabilities, or lack of experience and knowledge, unless they have been given supervision or instruction concerning use of the appliance by a person responsible for their safety.

Children should be supervised to ensure that they do not play with the appliance.

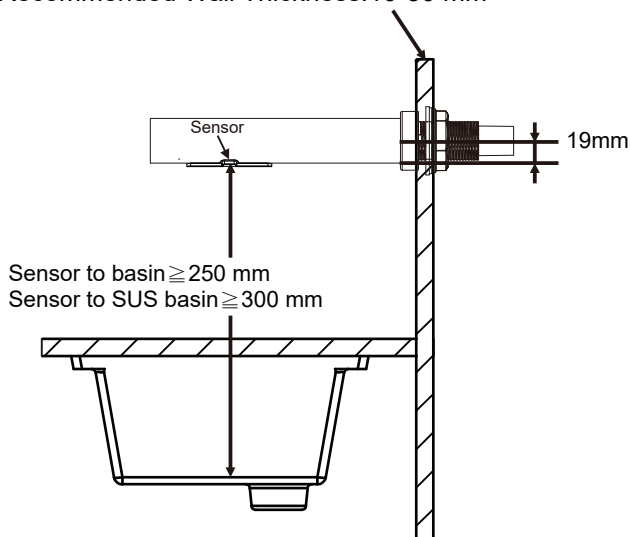
Circuit Diagram



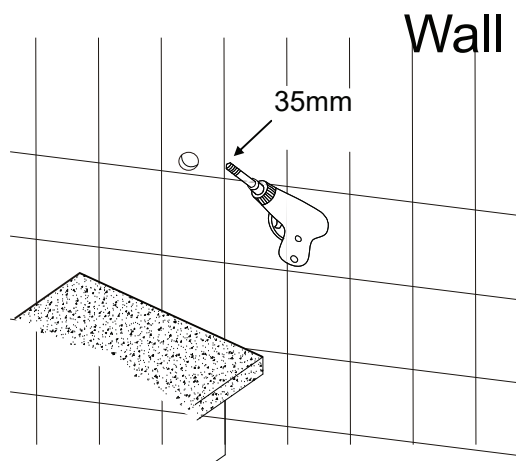
Installation

1. Ensure a proper sensing distance.

Recommended Wall Thickness: 10-30 mm

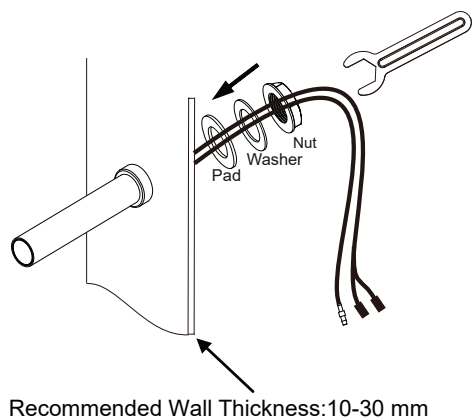


2. Drill a hole (size: 35mm) in the wall.
Installation location to be decided by the site owner.

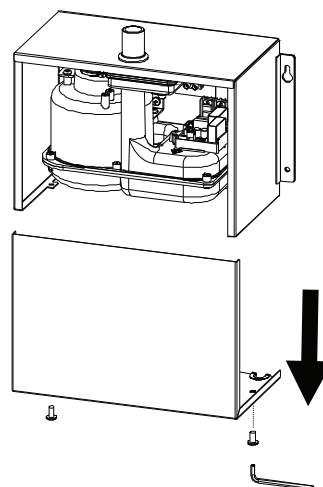


3. Mounting steps of the spout:

- Insert the shaft of the spout through the hole on the installation surface of the wall.
- Thread in the rubber pad, the stainless steel washer, and the plastic mounting nut.
- Fasten with the tool.

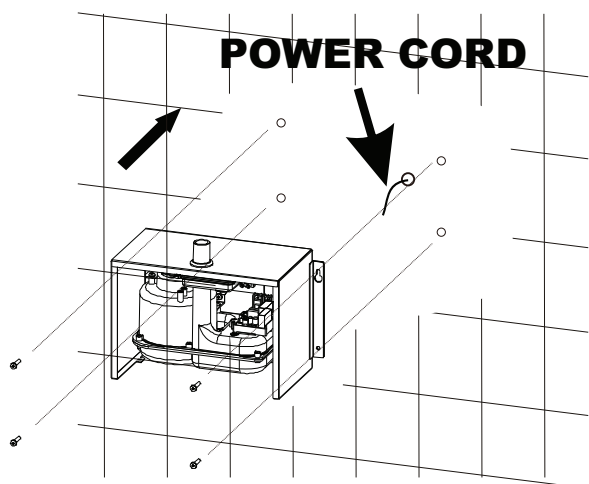


4. Remove two screws from the cover.



Installation

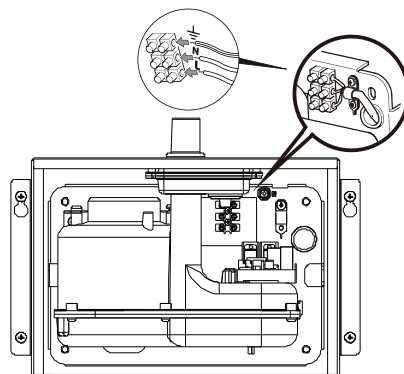
5. Fix the stainless steel cabinet to the wall, feed the power cord through the Knock Out hole and connect it to the dryer.



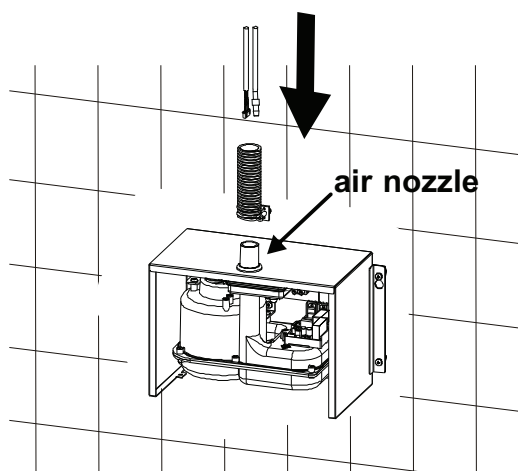
6. Connect supply wires to the terminal block:

Connections:

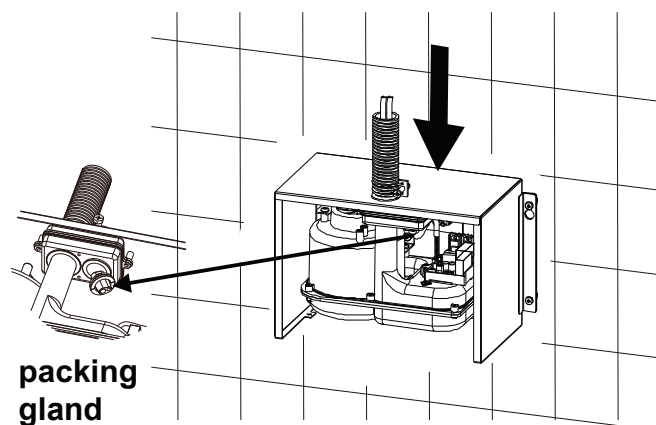
- A. Connect the live wire (brown) to the terminal block marked "L".
- B. Connect the neutral wire (blue) to the terminal block marked "N".
- C. Connect the ground wire (colored green or green and yellow) to the green screw marked "⊕".



7. Insert the wire set and the grounding wire through the flexible tube.

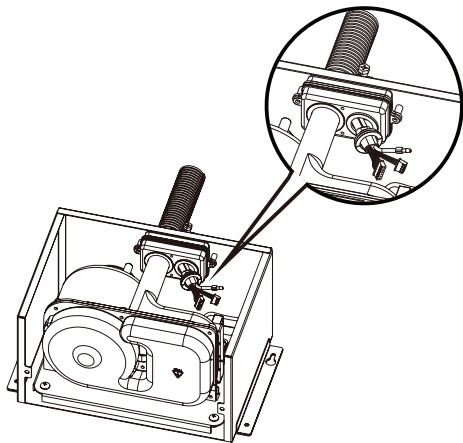


8. Remove the packing gland from the connector. Insert the wire set and the grounding wire through the air nozzle. Fasten the flexible tube to the air nozzle. Fasten the other end of the flexible tube to the shaft of the spout.

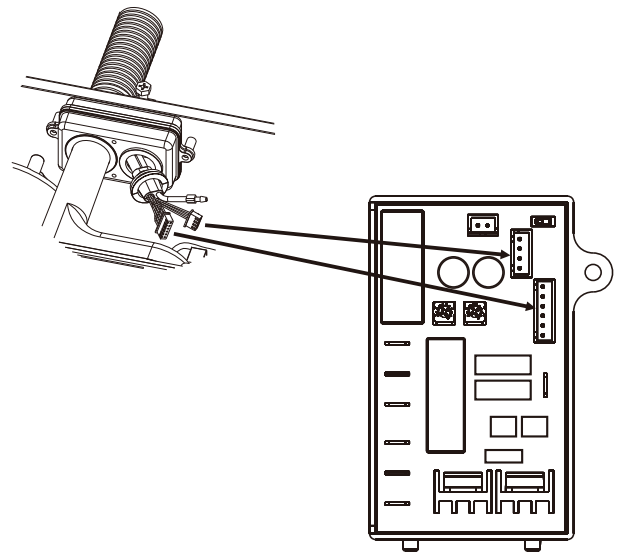


Installation

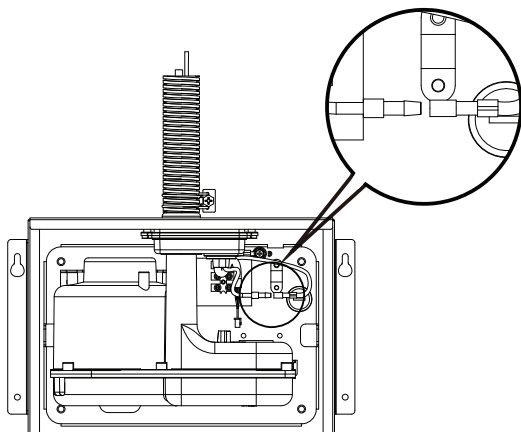
9. Encase the packing gland onto the wire set and the grounding wire.
 Reposition the packing gland to accommodate the connector.



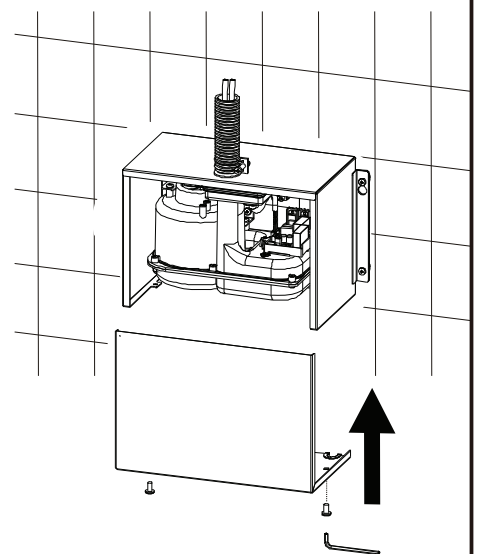
10. Connect the wires (including the sensor wire and the LED wire) to the Circuit Board Module.



11. Connect the grounding wire and replace the packing gland



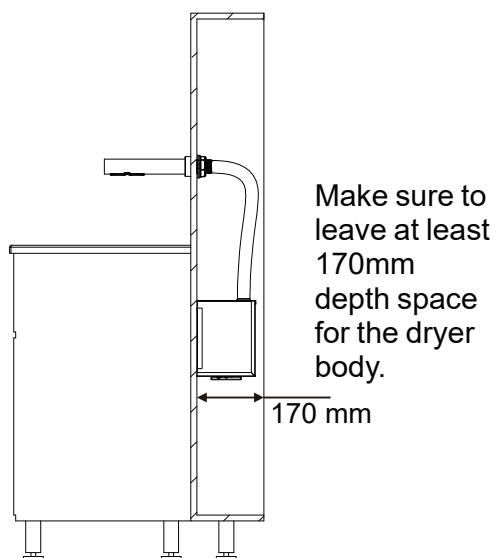
12. Fasten two screws on the cover.



Installation

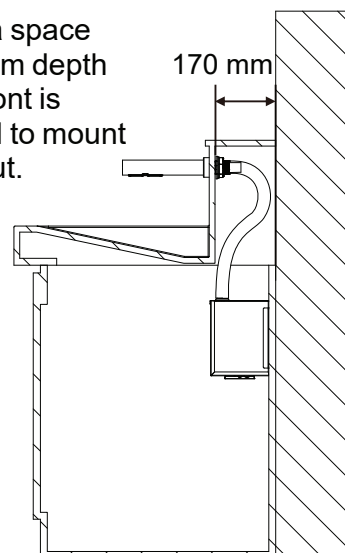
Select either one of the below installations.

13. Install the dryer body in a maintenance room in the back.

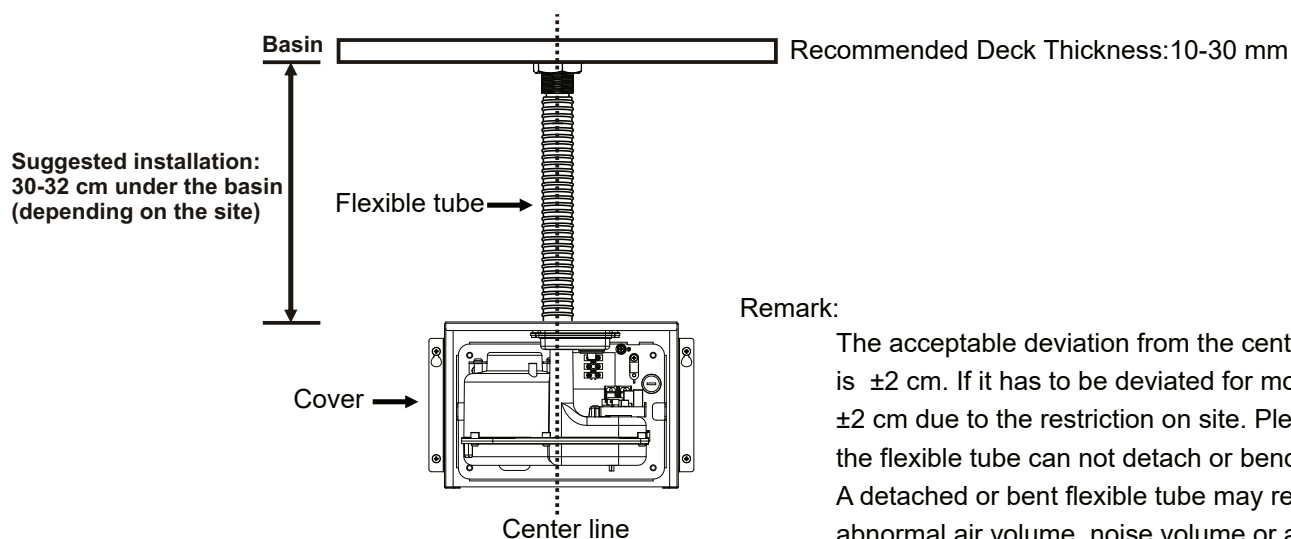


13. Install the dryer body under the counter.

An extra space of 170mm depth in the front is required to mount the spout.



Installation Height



Remark:

The acceptable deviation from the center line is ± 2 cm. If it has to be deviated for more than ± 2 cm due to the restriction on site. Please ensure the flexible tube can not detach or bend. A detached or bent flexible tube may result in abnormal air volume, noise volume or air speed.

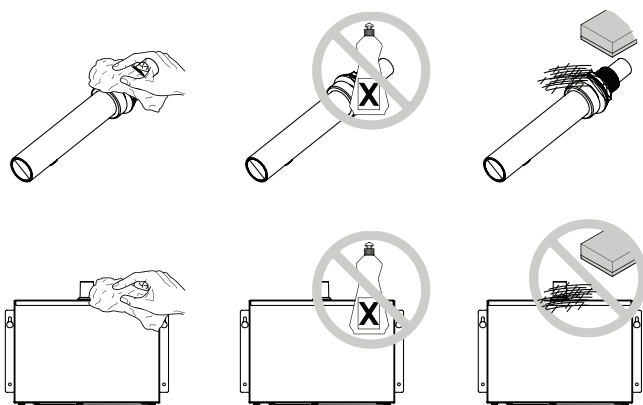
Operation

- No-touch operation.
- Shake excess water from hands.
- Place hands under the outlet to start operation.
- Rub hands lightly and rapidly.
- Stops automatically after hands are removed.

Cleaning and Maintenance

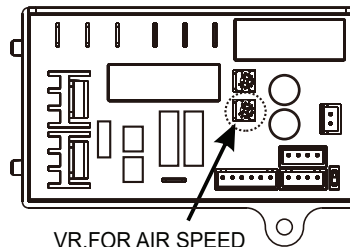
Periodic cleaning of the unit is recommended to ensure optimal performance.

- Disconnect the electrical supply.
- Remove the two cover-mounting screws.
- Remove the cover from the dryer body.
- Clean the inside of the dryer and remove any dust or lint.
- **Do not** flush with water.
- Wipe the cover with a damp cloth and mild cleaning solution. **Do not Soak. Never use abrasives to clean the cover.**
- Replace the cover. Do not over tighten the screws.



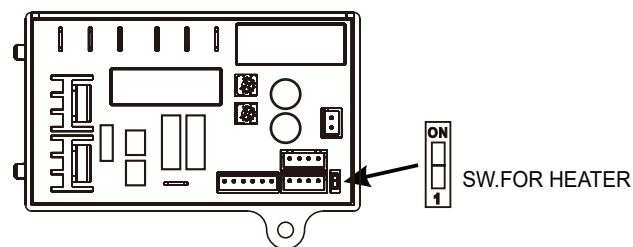
Warm Air Speed Adjustment

1. Switch off the power, remove the cover screws and the cover.
2. Use a small Philips head screwdriver or a plastic flat blade probe to turn the VR shaft. Clockwise [CW] to increase power to maximum (+) ↻, [CCW] to reduce power as needed(-) ↻.



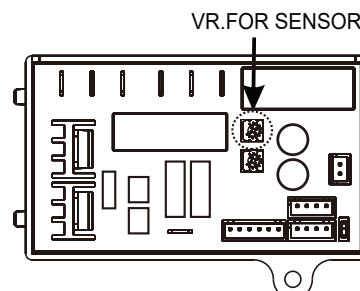
Heater Element Switch ON/ OFF

1. Switch off the power, remove the cover screws and the cover.
2. Adjust the heater switch on the CBM with a small plastic or wooden flat blade probe.
 - 2-1. Slide the switch to "ON" : heater on.
 - 2-2. Slide the switch to "1" : heater off.



Sensor Range Adjustment

1. The range is 100 mm to 230 mm, standard setting is 130 mm ± 20 mm.
2. Clockwise: Increases the sensing range(+)
3. Counterclockwise: Decreases the sensing range(-)
4. The adjusted sensing range will be affected by the installation environment, such as lighting or distance from sensor to the bottom of wash basin.
5. **DO NOT OVERTURN!**



Diagnostics and Remedies

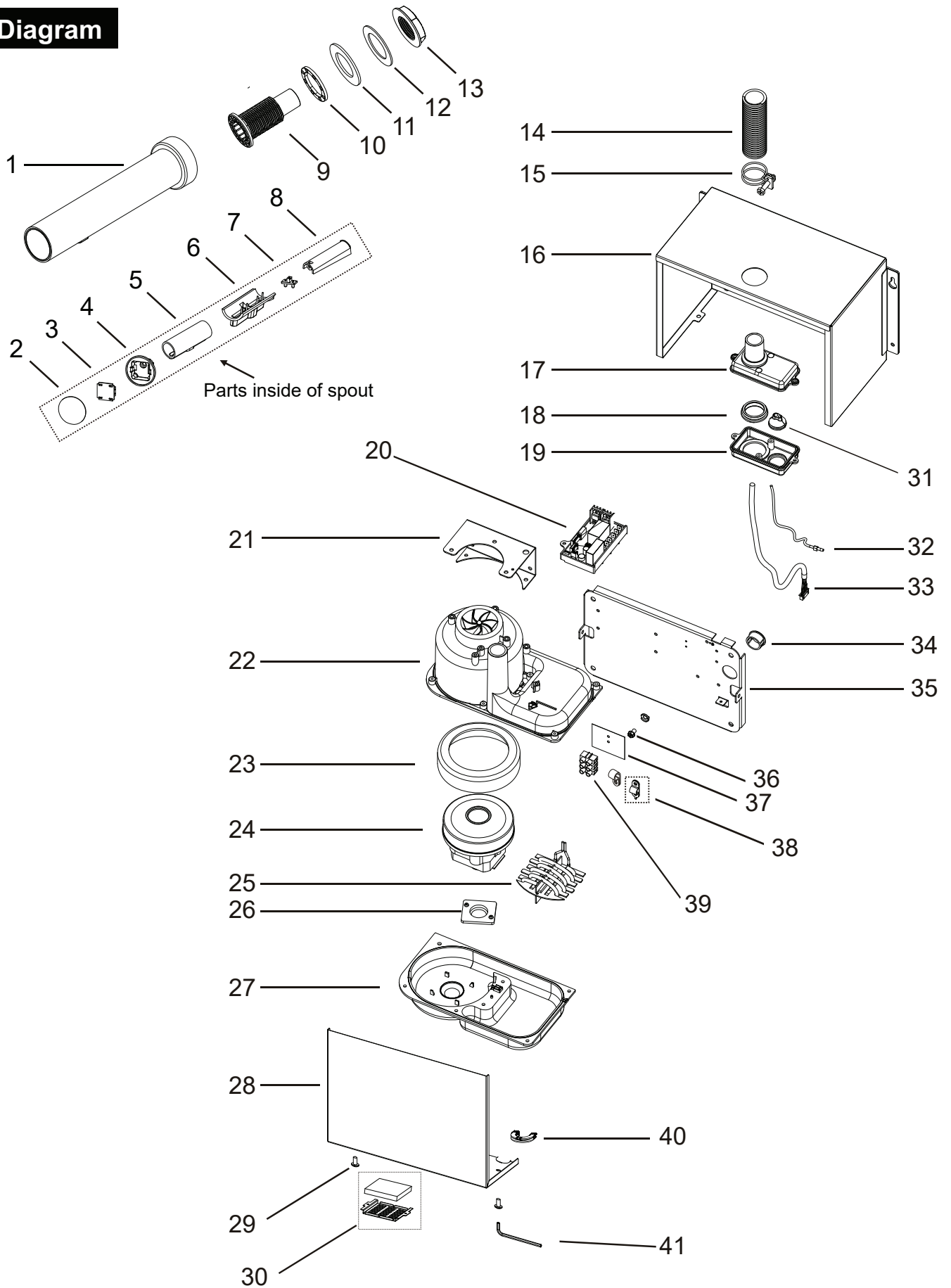
Symptoms
If the dryer will not run
LED light indication is not working
The dryer cycles by itself or runs constantly
The dryer makes a loud noise and does not run for a complete cycle
The dryer runs but air stream is of low pressure and/or low velocity

Corrective Actions for Initial Installation Failures
First ensure that the breaker supplying the dryer is operational. If it is, disconnect the power and remove the dryer cover. Take suitable precautions to avoid shock hazard. Reconnect the power and check for voltage at the terminal block. Verify that connections are made correctly.
Check if the LED light cable is connected with the circuit board of the dryer body under the counter.
Ensure that there is no obstruction on or in front of the IR sensor. Clean any dirt or debris off the sensor lens. If the problem persists, contact the distributor for assistance.
Ensure that the supply voltage is correct. Dryer will make a loud humming noise if the input voltage is too high. Verify voltage requirement on the unit rating label and the correct power supply as required. If the problem persists, contact the distributor for assistance.
Ensure that the supply voltage is correct. Dryer will run weakly if the input voltage is too low. Verify voltage requirement on the unit rating label and the correct power supply as required.

Symptoms
If the dryer will not run
The IR sensor only "sees" close range objects
The heater gets hot but no air stream is produced or the air stream is of low pressure and velocity
The dryer only blows cold air during a full cycle
LED light indication is not working
LED light indication is not working and no air come out from the dryer.

Corrective Actions for In-Service Failures
First ensure that the breaker supplying the dryer is operational. If it is, disconnect the power and remove the dryer cover. Replace the CBM and the IR sensor module. Take suitable precautions to avoid shock hazard. Reconnect the power and check for voltage at the terminal block.
<ol style="list-style-type: none"> 1.Ensure that there is no obstruction on or in front of the IR sensor. Clean any dirt or debris off the sensor lens. 2.Remove objects under the sensor if any. Disconnect power and reconnect it to reset the auto-detecting sensing range. 3.Check the VR for the sensing range setting. 4.If the problem persists, contact the distributor for assistance.
Disconnect the power. Remove the dryer cover and disassemble the blower-motor/fan housing. Replace the fan motor.
Disconnect the power. Remove the dryer cover and disassemble the blower-motor/fan housing. Test the thermostat for open circuit. Check the heater element for signs of burning or breakage. Damaged element must be replaced.
Check if the unit works. If it works, replace the LED PCB.
Change the circuit board of the dryer body under the counter.

Diagram



Repair Parts List

Key	Description
01	Spout
02	Name plate (back)
03	LED light panel
04	Light leading pad
05	Air outlet rubber
06	Air outlet
07	Sensor
08	Air outlet mounting set (upper)
09	Air outlet shaft
10	Tap pad
11	Pad
12	Washer
13	Air outlet shaft screw nut
14	Flexible tube (45 cm)
15	Stainless Steel Hose Clamp (2 reqd.)
16	Stainless steel cabinet
17	Top cap of connector
18	Packing of connector
19	Bottom cap of connector
20	Circuit Board Module
21	Blower mounting bracket
22	Blower housing (Below)
23	Motor rubber (Below)
24	Motor
25	Heater assembly
26	Motor rubber (Upper)
27	Blower housing (Upper)
28	Cover
29	Security hex screw (2 reqd.)
30	Filter assembly
31	Packing for wire assembly of sensor & grounding wire
32	Grounding wire
33	Sensor wire
34	Nylon hole bushing
35	Base plate
36	Grounding Screw
37	Insulation Mylar
38	Cable clamp
	Cable clamp - EU
39	Terminal block
40	Cable Protector
41	L KEY

Important Information

This Product falls within the scope of the Waste Electrical & Electronic Equipment Directive 2012/19/EU. (WEEE)

NOTE:

This Product should not be disposed of with household waste. Please recycle where facilities exist. Check with your local authority for recycling advice.



WARRANTY

atc Electrical & Mechanical provides a limited 2 year parts warranty for the EcoTap Range as long as the following conditions are followed:

1. Installation and use of the EcoTap Hand Dryer is in accordance with the instruction manual that is packaged with each hand dryer.

In order to arrange parts under warranty for the hand dryer the following information is required.

Receipt number: _____

Serial number of the Hand Dryer: _____

Date of Manufacture: _____

Date of Purchase: _____

For Sales and Service enquiries please contact **atc** on the numbers below.



atc House,
Broomhill Drive
Tallaght
Dublin 24
IRELAND

PH IE 003531 467 8302
PH UK 0044 0203 5649164
FX 003531 4520887
Email: sales@atc.ie

atc.ie
atcelec.co.uk



Environmental Protection

Waste electrical products should not be disposed of with household waste, please recycle this product where the facilities exist. Please check with your local authority.